

4.00.03.01 Pictorial outline

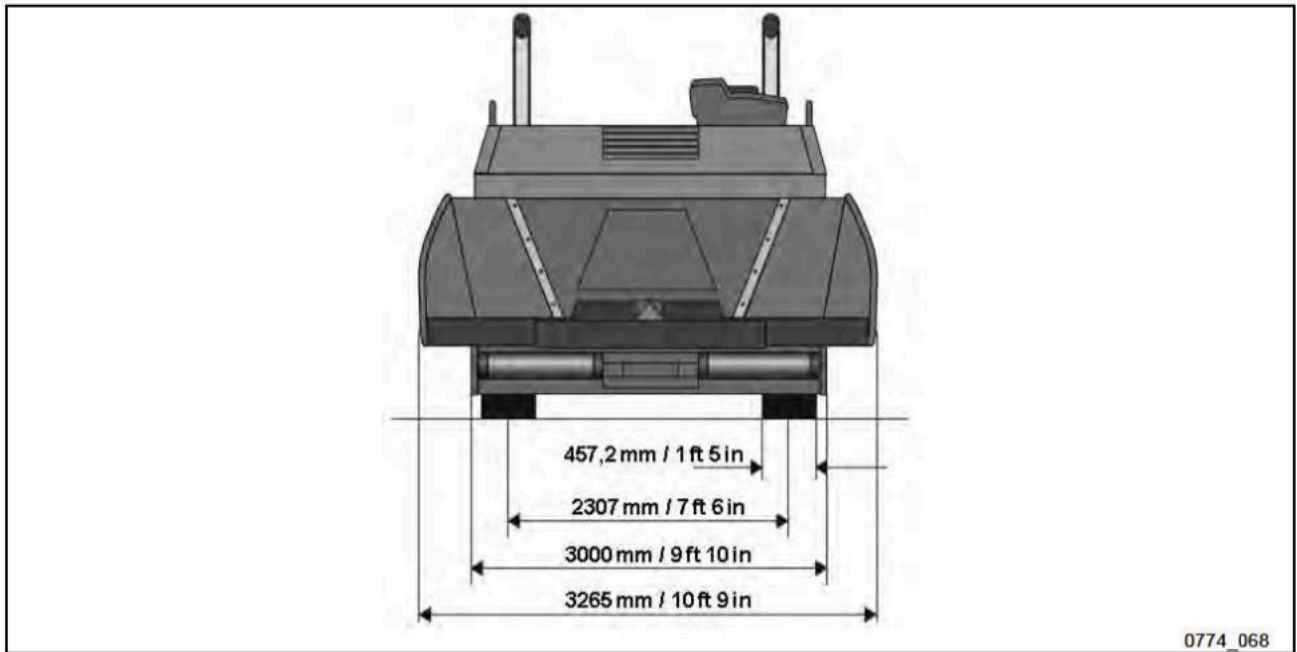


Fig. 4.1: Paver pictorial outline (I)

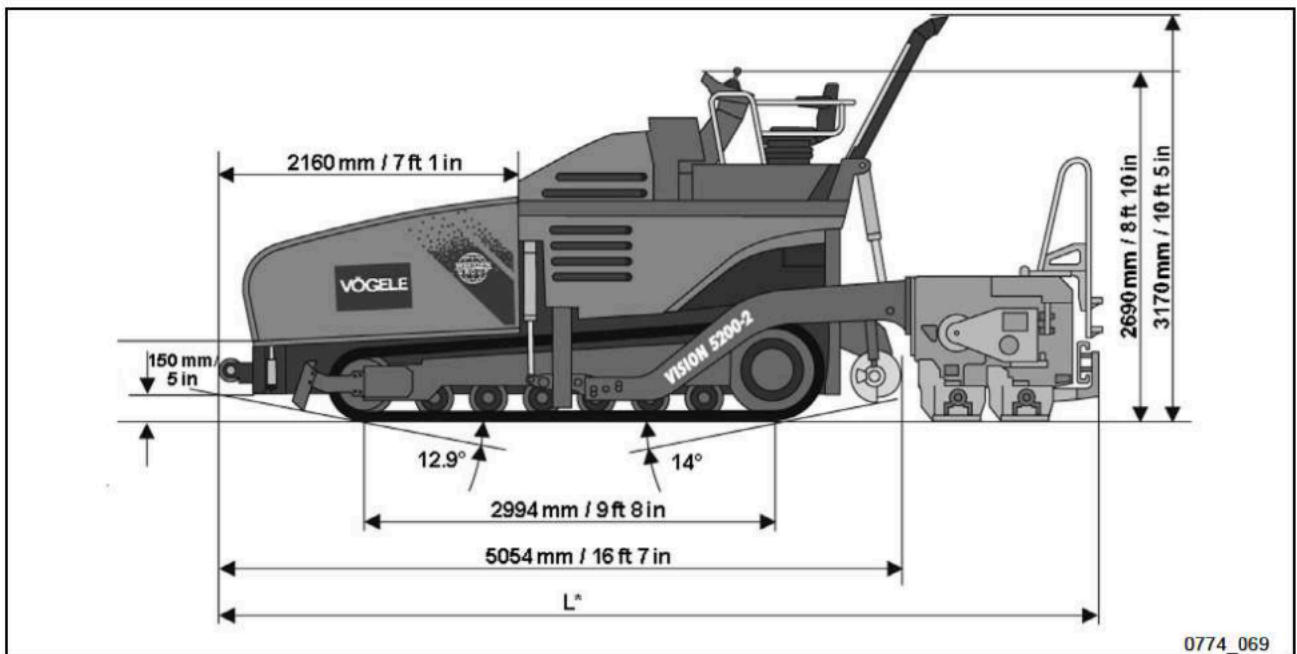


Fig. 4.2: Paver pictorial outline (II)

L\* = Dependent on the screed, see working widths