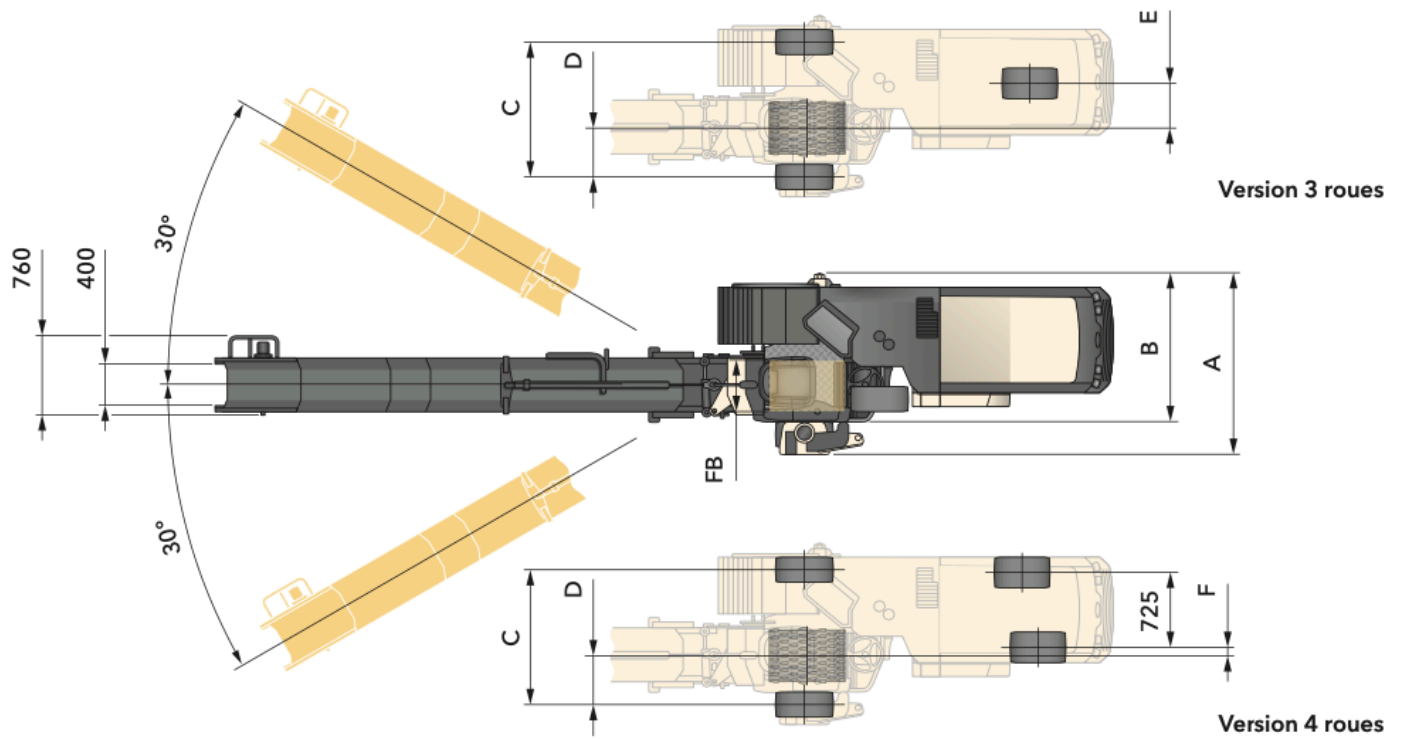
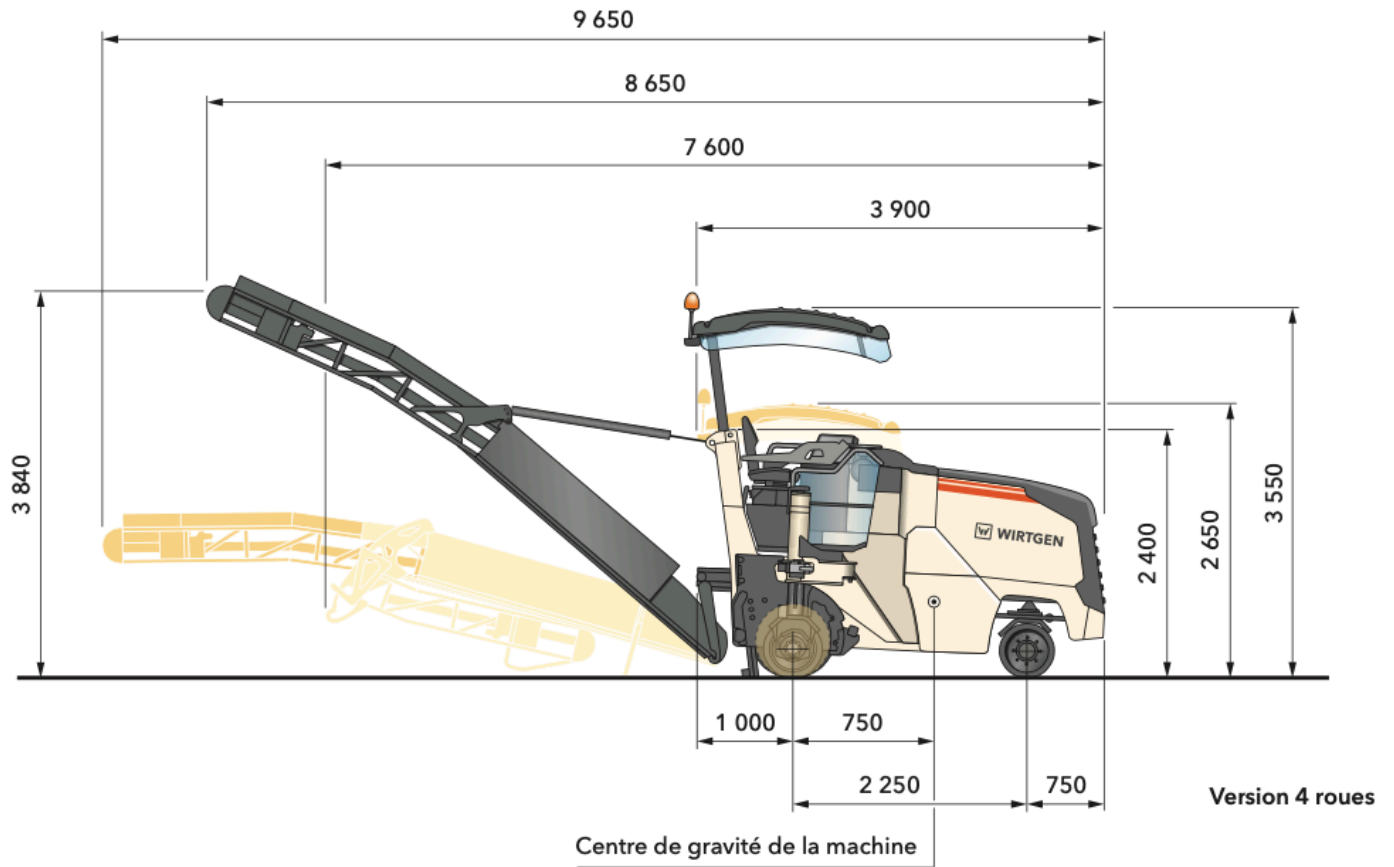


W 50 R | W 50 Ri | W 60 R | W 60 Ri



	A	B	C	D	E	F	FB
W 50 R/W 50 Ri	1 640	1 350	1 296	435	435	80	500
W 60 R/W 60 Ri	1 760	1 430	1 416	485	485	130	600